

Power Transformer

Voltage V		Current A		Tap selector	Range switch	Tap position
Series	Parallel	Series	Parallel			
154100	X	131	X	1	K+	1
152090	X	133	X	2		2
150080	X	134	X	3		3
148070	X	136	X	4		4
146060	X	138	X	5		5
144050	77050	140	262	6		6
142040	75040	142	269	7		7
140030	73030	144	276	8		8
138020	71020	146	284	9		9
136010	69010	148	292	10		10
134000	67000	151	301	K		11A
				1	11B	
					11C	
131990	64990	153	311	2	12	
129980	62980	155	320	3	13	
127970	60970	158	331	4	14	
125960	58960	160	342	5	15	
123950	56950	163	354	6	16	
121940	X	166	X	7	17	
119930	X	168	X	8	18	
117920	X	171	X	9	19	
115910	X	174	X	10	20	
113900	X	177	X	11	21	

Caution: The NLTC must not be switched in the position marked with a X in the 67kV winding.

Series-Parallel Switch (S-P Switch)	Tap position	Voltage (HV side) V
	1	134000
2	67000	

L.V.	Voltage (V)	Current (A)
	11500	1757.2

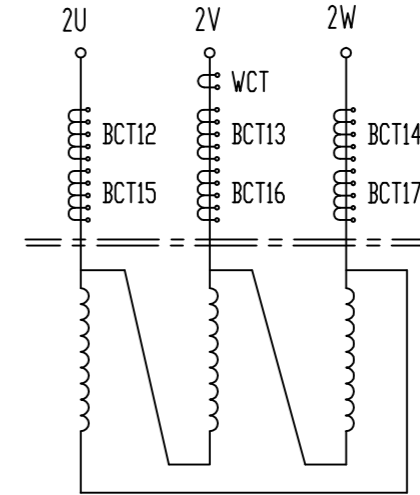
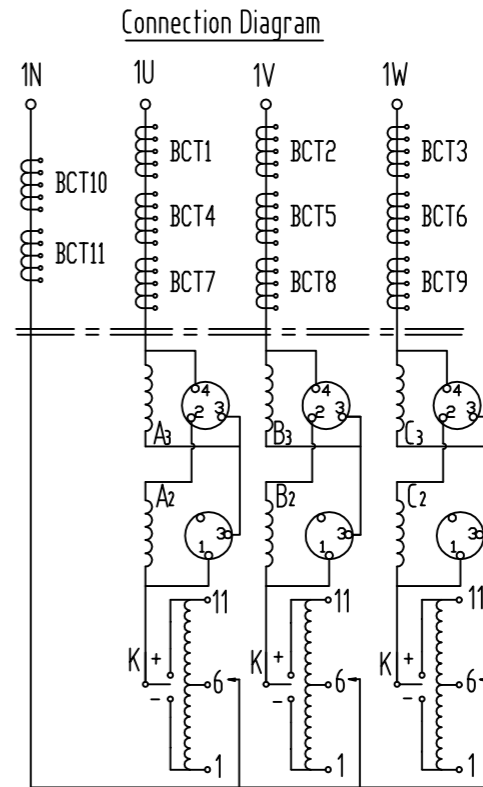
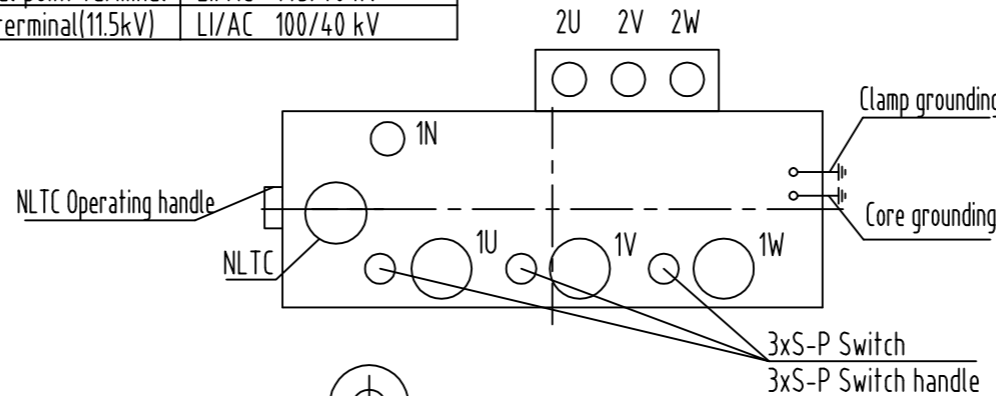
Type	SF-35000/134(67)			Standard	IEC60076-1:2000 IEC60076-2:1993 IEC60076-3:2000 IEC60076-5:2000
Rated Power (MVA)	35			Product Series No.	1ZDB300000P-1204
	H.V.1	H.V.2	L.V.		
Rated voltage (kV)	134	67	11.5		
Rated current (A)	150.8	301.6	1757.2	Rated Frequency	50Hz
Connection symbol	YNd11			No. of Phases	3
Altitude	≤1000m			Mechanical strength of Tank	
Type of Cooling	ONAN/ONAF1/ONAF2(21/28/35MVA)			Vacuum degree	Positive pressure
Transformer insulation heat resistance level	A			33Pa	98kPa
Max. ambient air temperature	40℃			Year of Manufacturer	Year Month
Temperature rise limits of Winding/Top oil	65K/55K			Manufacturer's Serial No.	

Voltage combination (kV-kV)	Power (MVA)	Load loss (kW)	Impedance (%)
H.V.1-L.V.1(134-11.5)	35		
H.V.2-L.V.1(67-11.5)	35		
No-load current (%)			
No-load loss (kW)			
Sound level (dB)	Max. ≤ 75 dB (Transformers 2 meters distance)		

Approximately Mass (kg)	
Active part	28900
Cover	4000
Tank & Accessories	25050
Insulating Oil	28200
Transportation	43300
Total	82150

Insulation level	
H.V.1 Line Terminal(134kV)	LI/AC 650/275 kV
H.V.2 Line Terminal(67kV)	LI/AC 380/150 kV
H.V. neutral point terminal	LI/AC 145/70 kV
L.V. Line terminal(11.5kV)	LI/AC 100/40 kV

Caution: when transformer operates, core and clamp must be reliably earthed.



Technical requirements:

- Font: product name No.14, company name No.10, boldface, others No.5 imitated Sung font;
- Except table name and company name, other letters and numbers' sizes are controlled ?;
- Word line concave, black varnish, back keep stainless steel neutral color;
- 7., Thickness of plate is 1mm.
- All loss figure shall be no more than guaranteed figures.
- All words, symbols, lines are black, paint color RAL9016;
- Inside table line width 0.25.
- No load current, Sound level, No load loss, load loss, short circuit impedance imprinted as per approved test values.

REV1.	2014.0725	Version No.	A0	SF-35000/134(67)	1ZDB107001D-1204
Design	Zhenqian Yu	2014.0710	Nameplate	Mark	Weight
Check	Zhiqiang Huang	2014.0710			
Review	Yongjiang He	2014.0710	American EQ	Total: 2 Pages	Page 2
Approve	Hua Huang	2014.0710			