

CHNT The People's Republic of China
Chint Electric Co., Ltd

Power Transformer

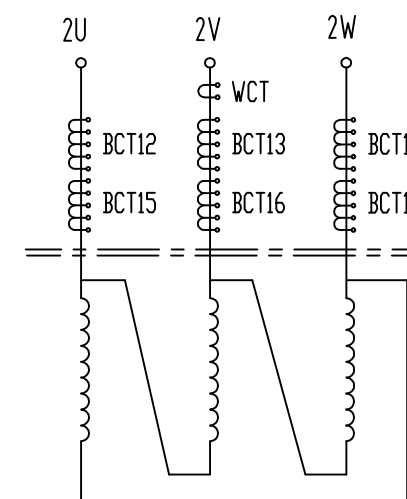
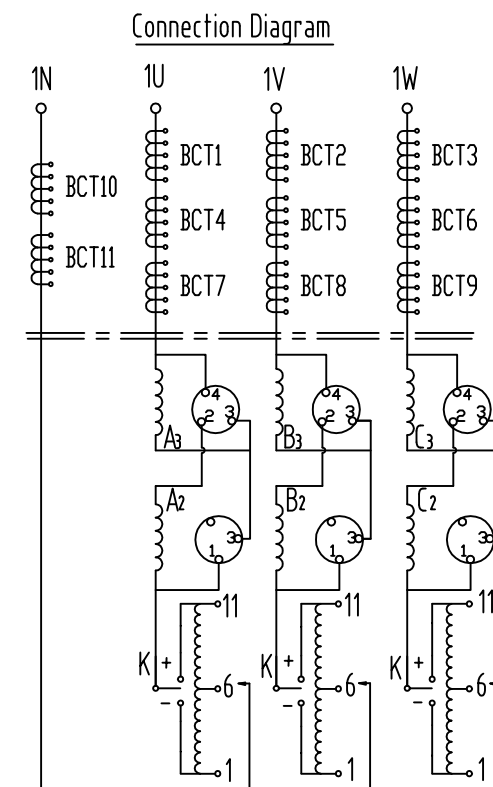
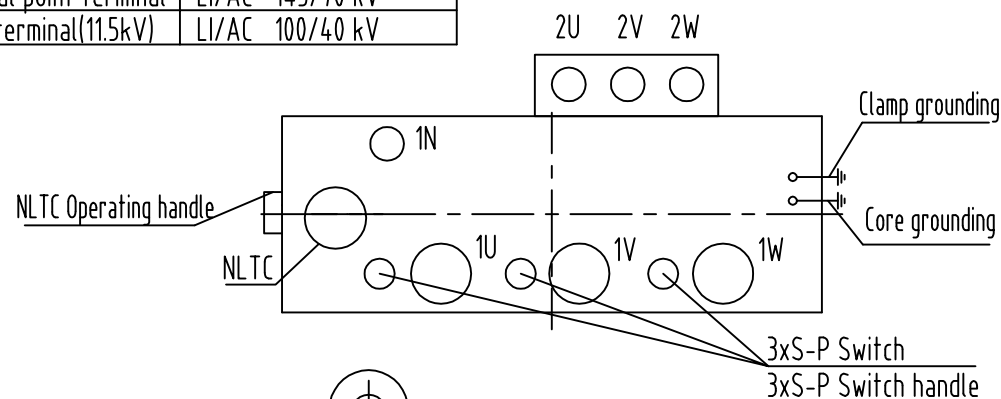
Voltage V		Current A		Tap selector	Range switch	Tap position
Series	Parallel	Series	Parallel			
154100	X	131	X	1	K+	1
152090	X	133	X	2		2
150080	X	134	X	3		3
148070	X	136	X	4		4
146060	X	138	X	5		5
144050	77050	140	262	6		6
142040	75040	142	269	7		7
140030	73030	144	276	8		8
138020	71020	146	284	9		9
136010	69010	148	292	10		10
134000	67000	151	301	K	K-	11A
						11B
						11C
12						
13						
14						
15						
16						
17						
18						
19						
20						
21						

Type	SF-35000/134(67)			Standard	IEC60076-1:2000 IEC60076-2:1993 IEC60076-3:2000 IEC60076-5:2000
Rated Power (MVA)	35			Product Series No.	1ZDB300000P-1204
	H.V.1	H.V.2	L.V.		
Rated voltage (kV)	134	67	11.5	Rated Frequency	50Hz
Rated current (A)	150.8	301.6	1757.2	No. of Phases	3
Connection symbol	YNd11			Mechanical strength of Tank	
Altitude	≤1000m			Vacuum degree	Positive pressure
Type of Cooling	ONAN/ONAF1/ONAF2(21/28/35MVA)			33Pa	98kPa
Transformer insulation heat resistance level	A			Year of Manufacturer	Year Month
Max. ambient air temperature	40°C			Manufacturer's Serial No.	
Temperature rise limits of Winding/Top oil	65K/55K				

Voltage combination (kV-kV)	Power (MVA)	Load loss (kW)	Impedance (%)	Approximately Mass (kg)	
H.V.1-L.V.1(134-11.5)	35			Active part	28900
H.V.2-L.V.1(67-11.5)	35			Cover	4000
No-load current (%)				Tank & Accessories	25050
No-load loss (kW)				Insulating Oil	28200
Sound level (dB)		Max. ≤ 75 dB (Transformers 2 meters distance)		Transportation	43300
				Total	82150

Insulation level	
H.V.1 Line Terminal(134kV)	LI/AC 650/275 kV
H.V.2 Line Terminal(67kV)	LI/AC 380/150 kV
H.V. neutral point terminal	LI/AC 145/70 kV
L.V. Line terminal(11.5kV)	LI/AC 100/40 kV

Caution: when transformer operates, core and clamp must be reliably earthed.



Caution: The NLTC must not be switched in the position marked with a X in the 67kV winding.

Series-Parallel Switch (S-P Switch)	Tap position	Voltage (HV side) V
	1	134000
2	67000	

L.V.	Voltage (V)	Current (A)
	11500	1757.2

Technical requirements:

- Font: product name No.14, company name No.10, boldface, others No.5 imitated Sung font;
- Except table name and company name, other letters and numbers' sizes are controlled ?;
- Word line concave, black varnish, back keep stainless steel neutral color;
- 7., Thickness of plate is 1mm.
8. All loss figure shall be no more than guaranteed figures.
- All words, symbols, lines are black, paint color RAL9016;
- Inside table line width 0.25.
- No load current, Sound level, No load loss, load loss, short circuit impedance imprinted as per approved test values.

REV1.	2014.0725	Version No.	A0	SF-35000/134(67)	1ZDB107001D-1204
Design	Zhenqian Yu	2014.0710	Nameplate	Mark	Weight
Check	Zhiqiang Huang	2014.0710			
Review	Yongjiang He	2014.0710	American EQ	Total: 2 Pages	Page 2
Approve	Hua Huang	2014.0710			