

CHNT The People's Republic of China
Chint Electric Co., Ltd

Power Transformer

Voltage V		Current A		Tap selector	Range switch	Tap position
Series	Parallel	Series	Parallel			
185150	X	131.0	X	1	K+	1
182735	X	132.7	X	2		2
180320	X	134.5	X	3		3
177905	X	136.3	X	4		4
175490	X	138.2	X	5		5
173075	92575	140.1	261.9	6		6
170660	90160	142.1	269.0	7		7
168245	87745	144.1	276.4	8		8
165830	85330	146.2	284.2	9		9
163415	82915	148.4	292.5	10		10
161000	80500	150.6	301.2	11	11A	
					11B	
					11C	
158585	78085	152.9	310.5	2	K-	12
156170	75670	155.3	320.5	3		13
153755	73255	157.7	331.0	4		14
151340	70840	160.2	342.3	5		15
148925	68425	162.8	354.4	6		16
146510	X	165.5	X	7		17
144095	X	168.3	X	8		18
141680	X	171.2	X	9		19
139265	X	174.1	X	10		20
136850	X	177.2	X	11		21

Caution: The NLTC should not be switched in the position marked with a X in the 80.5kV winding.

Series-Parallel No-load Tap Changer (S-P NLTC)	Tap position	Voltage (HV side) V
		1
	2	80500

L.V.	Voltage (V)	Current (A)
	13800	1757.2

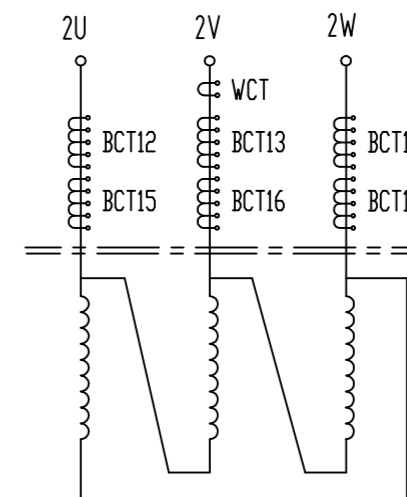
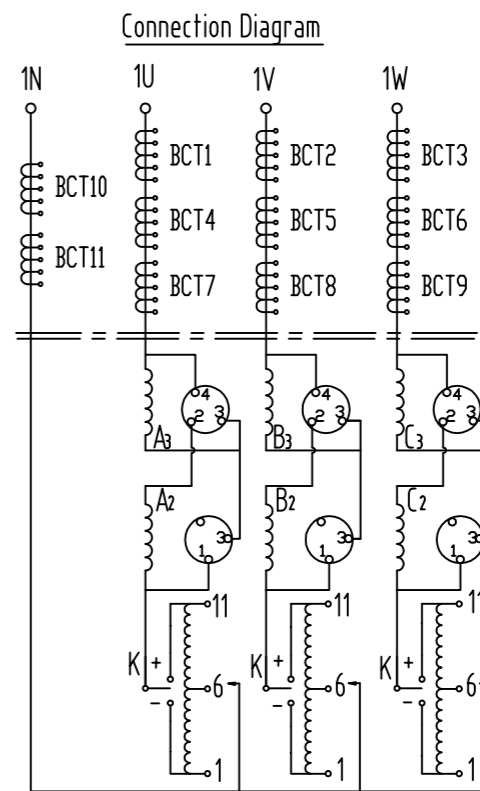
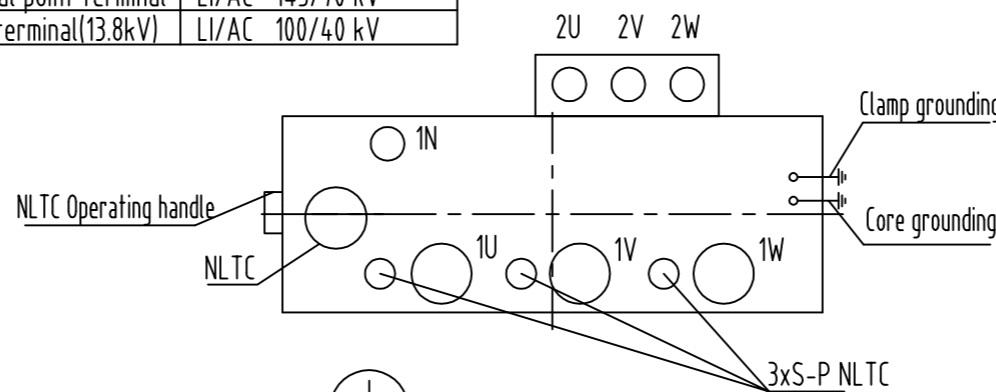
Type	SF-42000/161(80.5)			Standard	IEC60076-1:2000 IEC60076-2:1993 IEC60076-3:2000 IEC60076-5:2000		
Rated Power (MVA)	42/42					Product Serial No.	1ZDB300000P-1204
Rated voltage (kV)	H.V.1	H.V.2	L.V.	Rated Frequency	60Hz		
Rated current (A)	150.6	301.2	1757.2				
Connection symbol	YNd11			Mechanical strength of Tank			
Altitude	≤1000m			Vacuum degree	Positive pressure		
Type of Cooling	ONAN/ONAF1/ONAF2(25/33/42MVA)			133Pa	98kPa		
Transformer insulation heat resistance level	A			Year of Manufacturer	Year Month		
Max. ambient air temperature	40℃			Manufacturer's Serial No.			
Temperature rise limits of Winding/Top oil	65K/55K						

Voltage combination (kV-kV)	Power (MVA)	Load loss (kW)	Impedance (%)
H.V.1-L.V.1 (161-13.8)	42		
H.V.2-L.V.1 (80.5-13.8)	42		
No-load current (%)			
No-load loss (kW)			
Sound level (dB)	Max. ≤ 75 dB (Transformers 2 meters distance)		

Approximately Mass (kg)	
Active part	28900
Cover	4000
Tank & Accessories	24500
Insulating Oil	28000
Transportation (N2)	43300
Total	81400

Insulation level	
H.V.1 Line Terminal(161kV)	LI/AC 650/275 kV
H.V.2 Line Terminal(80.5kV)	LI/AC 380/150 kV
H.V.neutral point terminal	LI/AC 145/70 kV
L.V. Line terminal(13.8kV)	LI/AC 100/40 kV

Caution: when transformer operates, core and clamp must be reliably earthed.



285
300

2425

500

2425

Technical requirements:

- 1.Font: product name No.14, company name No.10, boldface, others No.5 imitated Sung font;
- 2.Except table name and company name, other letters and numbers' sizes are controlled ?;
- 3.Word line concave, black varnish, back keep stainless steel neutral color;
- 7.,Thickness of plate is 1mm.
8. All loss figure shall be no more than guaranteed figures.

- 4.All words, symbols, lines are black, paint color RAL9016;
- 5.Inside table line width 0.25.
- 6.No load current, Sound level, No load loss, load loss, short circuit impedance imprinted as per approved test values.

REV.	2514-XXXX	Version No.	A0	SF-42000/161(80.5)	1ZDB107001D-1204
Design	Zhenqian Yu	2014.0703		Nameplate	Mark
Check	Zhiqiang Huang	2014.0704			Weight
Review	Yongjiang He	2014.0705		American EQ	Scale
Approve	Hua Huang	2014.0705			Total: 2 Pages
					Page 1
					CHNT Chint Electric Co., Ltd