

CHNT The People's Republic of China
Chint Electric Co., Ltd

Power Transformer

Voltage V		Current A		Tap selector	Range switch	Tap position
Series	Parallel	Series	Parallel			
185150	X	131.0	X	1	K+	1
182735	X	132.7	X	2		2
180320	X	134.5	X	3		3
177905	X	136.3	X	4		4
175490	X	138.2	X	5		5
173075	92575	140.1	261.9	6		6
170660	90160	142.1	269.0	7		7
168245	87745	144.1	276.4	8		8
165830	85330	146.2	284.2	9		9
163415	82915	148.4	292.5	10		10
161000	80500	150.6	301.2	11	11A	
					11B	
					11C	
158585	78085	152.9	310.5	2	K-	12
156170	75670	155.3	320.5	3		13
153755	73255	157.7	331.0	4		14
151340	70840	160.2	342.3	5		15
148925	68425	162.8	354.4	6		16
146510	X	165.5	X	7		17
144095	X	168.3	X	8		18
141680	X	171.2	X	9		19
139265	X	174.1	X	10		20
136850	X	177.2	X	11		21

Caution: The NLTC should not be switched in the position marked with a X in the 80.5kV winding.

Series-Parallel No-load Tap Changer (S-P NLTC)	Tap position	Voltage (HV side) V
		1
	2	80500

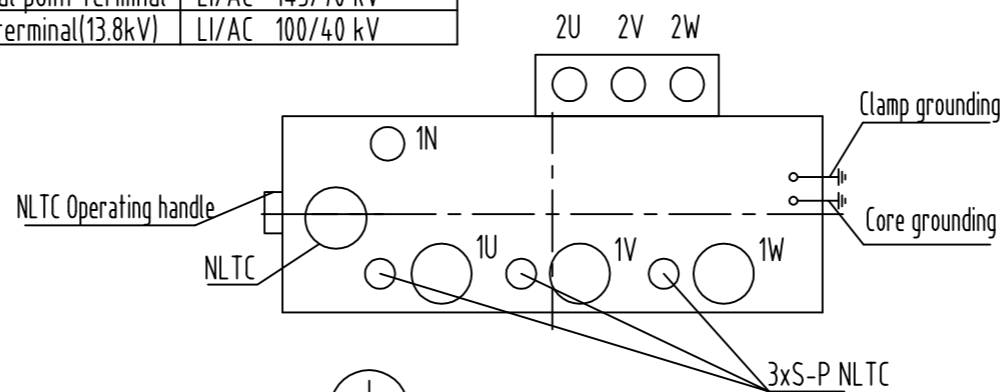
L.V.	Voltage (V)	Current (A)
	13800	1757.2

Type	SF-42000/161(80.5)			Standard	IEC60076-1:2000 IEC60076-2:1993 IEC60076-3:2000 IEC60076-5:2000
Rated Power (MVA)	42/42			Product Serial No.	1ZDB300000P-1204
	H.V.1	H.V.2	L.V.		
Rated voltage (kV)	161	80.5	13.8	Rated Frequency	60Hz
Rated current (A)	150.6	301.2	1757.2	No. of Phases	3
Connection symbol	YNd11			Mechanical strength of Tank	
Altitude	≤1000m			Vacuum degree	Positive pressure
Type of Cooling	ONAN/ONAF1/ONAF2(25/33/42MVA)			133Pa	98kPa
Transformer insulation heat resistance level	A			Year of Manufacturer	Year Month
Max. ambient air temperature	40℃			Manufacturer's Serial No.	
Temperature rise limits of Winding/Top oil	65K/55K				

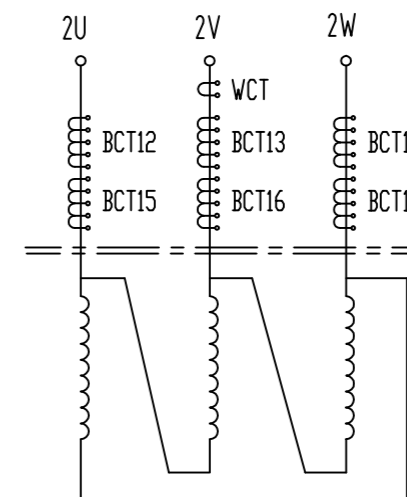
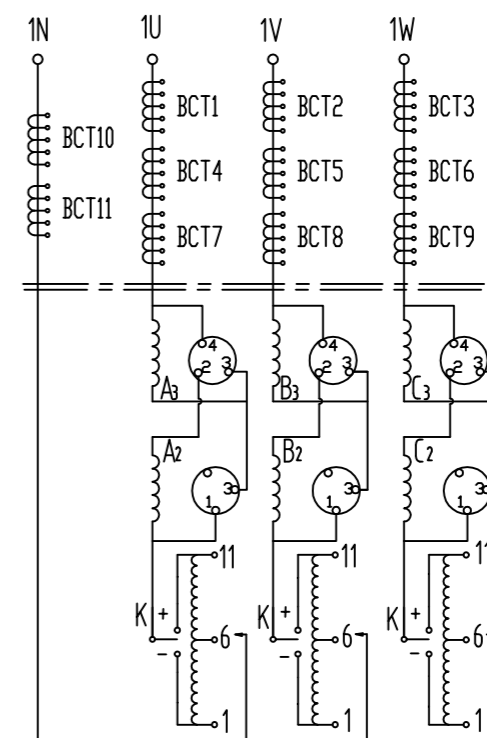
Voltage combination (kV-kV)	Power (MVA)	Load loss (kW)	Impedance (%)	Approximately Mass (kg)	
H.V.1-L.V.1 (161-13.8)	42			Active part	28900
H.V.2-L.V.1 (80.5-13.8)	42			Cover	4000
No-load current (%)				Tank & Accessories	24500
No-load loss (kW)				Insulating Oil	28000
Sound level (dB)		Max. ≤ 75 dB (Transformers 2 meters distance)		Transportation (N2)	43300
				Total	81400

Insulation level	
H.V.1 Line Terminal(161kV)	LI/AC 650/275 kV
H.V.2 Line Terminal(80.5kV)	LI/AC 380/150 kV
H.V.neutral point terminal	LI/AC 145/70 kV
L.V. Line terminal(13.8kV)	LI/AC 100/40 kV

Caution: when transformer operates, core and clamp must be reliably earthed.



Connection Diagram



285
300

Technical requirements:

- Font: product name No.14, company name No.10, boldface, others No.5 imitated Sung font;
- Except table name and company name, other letters and numbers' sizes are controlled ?;
- Word line concave, black varnish, back keep stainless steel neutral color;
- Thickness of plate is 1mm.
- All loss figure shall be no more than guaranteed figures.

- All words, symbols, lines are black, paint color RAL9016;
- Inside table line width 0.25.
- No load current, Sound level, No load loss, load loss, short circuit impedance imprinted as per approved test values.

REV.	2514-XXXX	Version No.	A0	SF-42000/161(80.5)	1ZDB107001D-1204
Design	Zhenqian Yu	2014.0703	Nameplate	Mark	Weight
Check	Zhiqiang Huang	2014.0704			
Review	Yongjiang He	2014.0705	American EQ	Total: 2 Pages	Page 1
Approve	Hua Huang	2014.0705			

CHNT
Chint Electric Co., Ltd