

CHNT The People's Republic of China
Chint Electric Co., Ltd

Power Transformer

Voltage V		Current A		Tap selector	Range switch	Tap position
Series	Parallel	Series	Parallel			
232960	X	87	X	1	K+	1
230464	X	88	X	2		2
227968	X	88	X	3		3
225472	X	89	X	4		4
222976	X	90	X	5		5
220480	116480	92	173	6		6
217984	113984	93	177	7		7
215488	111488	94	181	8		8
212992	108992	95	185	9		9
210496	106496	96	189	10		10
208000	104000	97	194	11		11A
				1	11B	
					11C	
205504	101504	98	199	2	12	
203008	99008	99	204	3	13	
200512	96512	101	209	4	14	
198016	94016	102	215	5	15	
195520	91520	103	220	6	16	
193024	X	105	X	7	17	
190528	X	106	X	8	18	
188032	X	107	X	9	19	
185536	X	109	X	10	20	
183040	X	110	X	11	21	

Caution: The NLTC must not be switched in the position marked with a X in the 104kV winding.

Series-Parallel Switch (S-PSwitch)	Tap position	Voltage (HV side) V
	1	208000
2	104000	

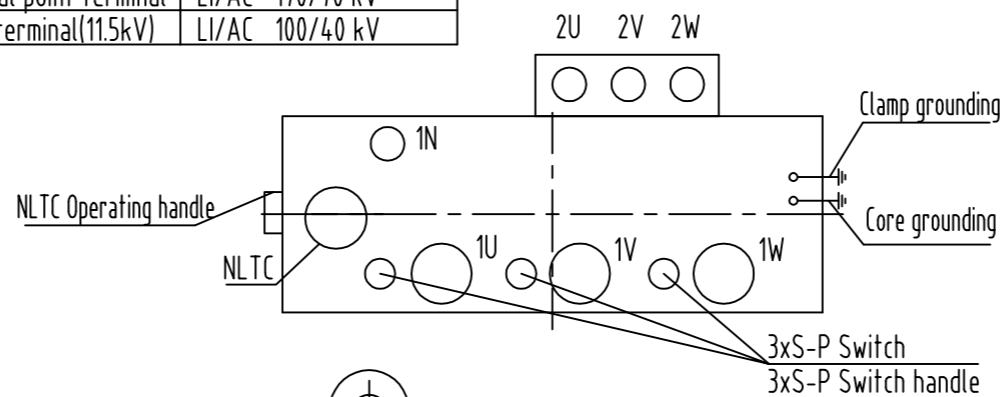
L.V.	Voltage (V)	Current (A)
	11500	1757.2

Type	SF-35000/208(104)			Standard	IEC60076-1:2000 IEC60076-2:1993 IEC60076-3:2000 IEC60076-5:2000
Rated Power (MVA)	35			Product Series No.	1ZDB300000P-1203
	H.V.1	H.V.2	L.V.		
Rated voltage (kV)	208	104	11.5		
Rated current (A)	97.2	194.3	1757.2	Rated Frequency	50Hz
Connection symbol	YNd11			No. of Phases	3
Altitude	≤1000m			Mechanical strength of Tank	
Type of Cooling	ONAN/ONAF1/ONAF2(21/28/35MVA)			Vacuum degree	Positive pressure
Transformer insulation heat resistance level	A			33Pa	98kPa
Max. ambient air temperature	40℃			Year of Manufacturer	Year Month
Temperature rise limits of Winding/Top oil	65K/55K			Manufacturer's Serial No.	

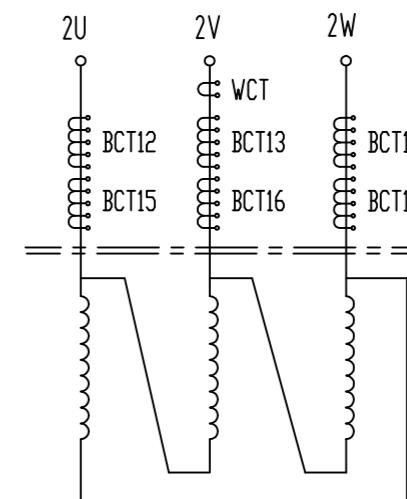
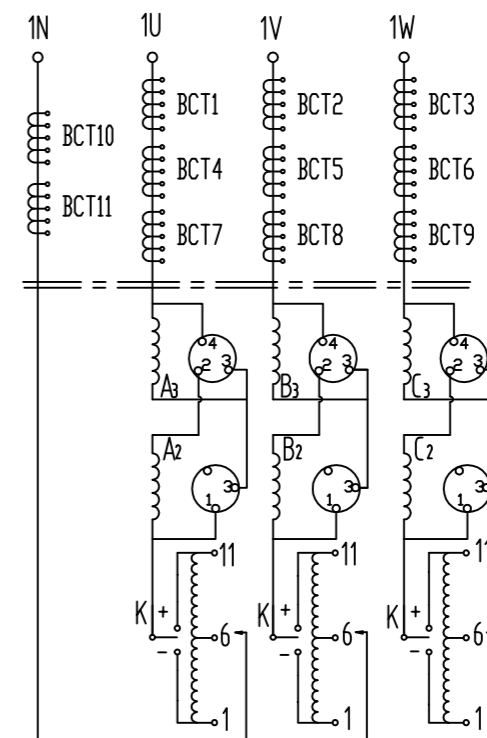
Voltage combination (kV-kV)	Power (MVA)	Load loss (kW)	Impedance (%)	Approximately Mass (kg)	
H.V.1-L.V.1(208-11.5)	35			Active part	30400
H.V.2-L.V.1(104-11.5)	35			Cover	4200
No-load current (%)				Tank & Accessories	26100
No-load loss (kW)				Insulating Oil	35000
Sound level (dB)	Max. ≤ 75 dB (Transformers 2 meters distance)			Transportation	45800
				Total	91500

Insulation level	
H.V.1 Line Terminal(208kV)	LI/AC 950/395 kV
H.V.2 Line Terminal(104kV)	LI/AC 550/230 kV
H.V.neutral point terminal	LI/AC 170/70 kV
L.V. Line terminal(11.5kV)	LI/AC 100/40 kV

Caution: when transformer operates, core and clamp must be reliably earthed.



Connection Diagram



285
300

2425

500

2425

Technical requirements:

- Font: product name No.14, company name No.10, boldface, others No.5 imitated Sung font;
- Except table name and company name, other letters and numbers' sizes are controlled ?;
- Word line concave, black varnish, back keep stainless steel neutral color;
- 7., Thickness of plate is 1mm.
- All loss figure shall be no more than guaranteed figures.
- All words, symbols, lines are black, paint color RAL9016;
- Inside table line width 0.25.
- No load current, Sound level, No load loss, load loss, short circuit impedance imprinted as per approved test values.

REV1.	2014.0725	Version No.	A0	SF-35000/208(104)	1ZDB107001D-1203
Design	Zhenqian Yu	2014.0710	Nameplate	Mark	Weight
Check	Zhiqiang Huang	2014.0710			
Review	Yongjiang He	2014.0710	American EQ	Total: 2 Pages	Page 2
Approve	Hua Huang	2014.0710			

CHNT
Chint Electric Co., Ltd