

CHNT The People's Republic of China
Chint Electric Co., Ltd

Power Transformer

Voltage V		Current A		Tap selector	Range switch	Tap position
Series	Parallel	Series	Parallel			
280000	X	87	X	1	K+	1
277000	X	88	X	2		2
274000	X	88	X	3		3
271000	X	89	X	4		4
268000	X	90	X	5		5
265000	14/0000	92	173	6		6
262000	137000	93	177	7		7
259000	134000	94	181	8		8
256000	131000	95	185	9		9
253000	128000	96	189	10		10
250000	125000	97	194	K	K-	11A
						11B
						11C
12						
247000	122000	98	199	2		13
244000	119000	99	204	3		14
241000	116000	101	209	4		15
238000	113000	102	215	5		16
235000	110000	103	220	6		17
232000	X	105	X	7		18
229000	X	106	X	8	19	
226000	X	107	X	9	20	
223000	X	109	X	10	21	
220000	X	110	X	11		

Caution: The NLTC must not be switched in the position marked with a X in the 125kV winding.

Series-Parallel Switch (S-PSwitch)	Tap position	Voltage (HV side) V
	1	250000
2	125000	

L.V.	Voltage (V)	Current (A)
	13800	1757.2

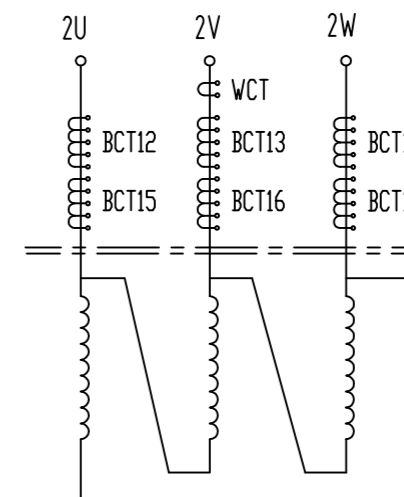
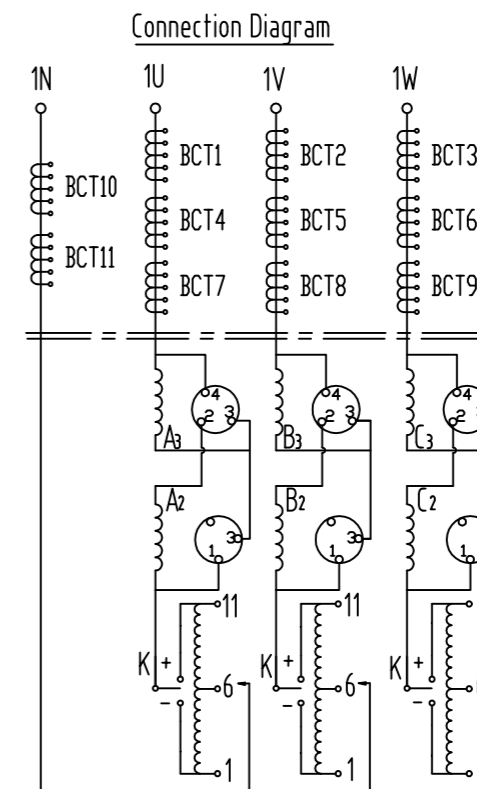
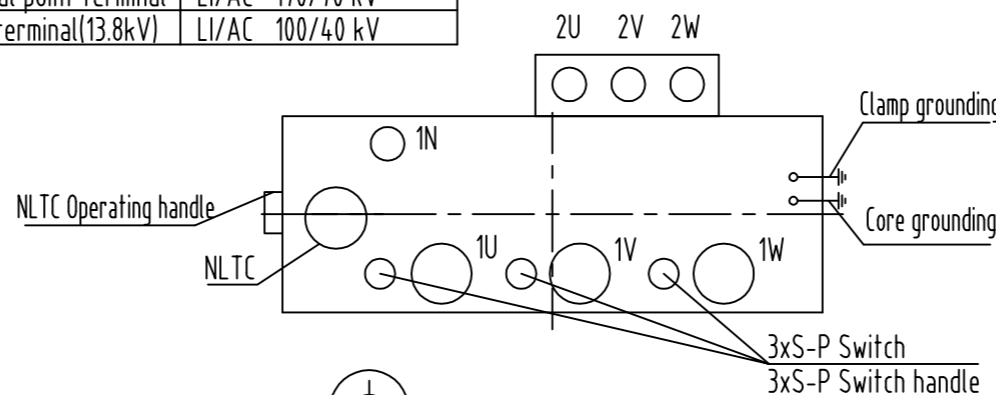
Type	SF-42000/250(125)			Standard	IEC60076-1:2000 IEC60076-2:1993 IEC60076-3:2000 IEC60076-5:2000
Rated Power (MVA)	42			Product Series No.	1ZDB300000P-1203
	H.V.1	H.V.2	L.V.		
Rated voltage (kV)	250	125	13.8		
Rated current (A)	97.0	194.0	1757.2	Rated Frequency	60Hz
Connection symbol	YNd11			No. of Phases	3
Altitude	≤1000m			Mechanical strength of Tank	
Type of Cooling	ONAN/ONAF1/ONAF2(25/33/42MVA)			Vacuum degree	Positive pressure
Transformer insulation heat resistance level	A			33Pa	98kPa
Max. ambient air temperature	40℃			Year of Manufacturer	Year Month
Temperature rise limits of Winding/Top oil	65K/55K			Manufacturer's Serial No.	

Voltage combination (kV-kV)	Power (MVA)	Load loss (kW)	Impedance (%)
H.V.1-L.V.1(250-13.8)	42		
H.V.2-L.V.1(125-13.8)	42		
No-load current (%)			
No-load loss (kW)			
Sound level (dB)	Max. ≤ 75 dB (Transformers 2 meters distance)		

Approximately Mass (kg)	
Active part	30400
Cover	4200
Tank & Accessories	26100
Insulating Oil	35000
Transportation	45800
Total	91500

Insulation level	
H.V.1 Line Terminal(250kV)	LI/AC 950/395 kV
H.V.2 Line Terminal(125kV)	LI/AC 550/230 kV
H.V. neutral point terminal	LI/AC 170/70 kV
L.V. Line terminal(13.8kV)	LI/AC 100/40 kV

Caution: when transformer operates, core and clamp must be reliably earthed.



285
300

2425

500

2425

Technical requirements:

- Font: product name No.14, company name No.10, boldface, others No.5 imitated Sung font;
- Except table name and company name, other letters and numbers' sizes are controlled ?;
- Word line concave, black varnish, back keep stainless steel neutral color;
- 7., Thickness of plate is 1mm.
- All loss figure shall be no more than guaranteed figures.
- All words, symbols, lines are black, paint color RAL9016;
- Inside table line width 0.25.
- No load current, Sound level, No load loss, load loss, short circuit impedance imprinted as per approved test values.

REV1.	2014.0725	Version No.	A0	SF-42000/250(125)	1ZDB107001D-1203
Design	Zhenqian Yu	2014.0710	Nameplate	Mark	Weight
Check	Zhiqiang Huang	2014.0710			
Review	Yongjiang He	2014.0710	American EQ	Total: 2 Pages	Page 1
Approve	Hua Huang	2014.0710			

CHNT
Chint Electric Co., Ltd