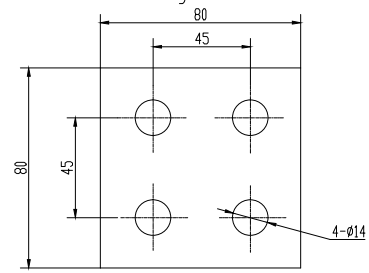


Approximately Mass (kg)	
Active part	30400
Oil	35000
Tank & Accessories	26100
Cover	4200
Transportation	45800
Total	91500

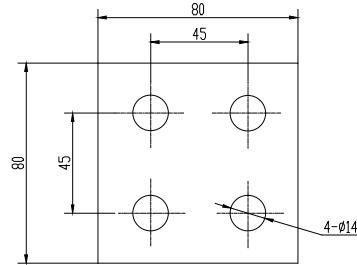
36	Tap position Warning Labels	2		
35	NLTC Warning Label	1		
34	SP switch Warning Labels	3		
33	Automatic gas charging device	1		
32	Surge arrester	3	YH10W-18 (spare)	CHINT
31	Nameplate	3		CHINT
30	tank ground	4		CHINT
29	Gravity point signboard plate	2		CHINT
28	Manhole	1		CHINT
27	Insulator	4	FZSW-55-6	CHINT
26	The grounding copper	1		CHINT
25	NLTC Operating handle	1		Wuhan Taipu
24	HV Surge arrester	3	YH10W-175	CHINT
23	S-P Switch	3	WDTV 400/252 -4x2A 113	Wuhan Taipu
22	The ladder	1		CHINT
21	core grounding bushing	1	BLJ-10/100	Shenyang Shenyang
20	clamp grounding bushing	1	BLJ-10/100	Shenyang Shenyang
19	Top oil thermometer	1	BWY-804AD	Hangzhou Huali
18	Winding thermometer	1	BWR-04DIII	Hangzhou Huali
17	Lifting lug	4	30t	CHINT
16	Pressure relief valve	1	YSF10-55/130KJB	Shenbiansuo
15	NLTC	1	WSLVI 400/725-12X21A 255	Wuhan Taipu
14	Buchholz relay	1	QJ4-80	Shenyang Tongmeng
13	Fans	3	DBF-9Q12-TH	Zhejiang Mingxin
12	Radiators	6	PC2400 (2000) -32/520	BTCC
11	Oil level gauge	1	YZF3-200	Shenyang Kangbo
10	Surge arrester	3	YH10W-15	CHINT
9	LV Bushing Outlet box	1		CHINT
8	LV Bushing	3	BFW-24/3150-4	NanJing Zhida
7	HV Neutral Bushing	1	BFW-40.5/630-4	NanJing Zhida
6	Conservator	1	φ1200x4000	CHINT
5	The foundation slab	2		CHINT
4	Oil drain/filling valve	1/1	DN 50/DN80	Hejian Yachen
3	Jack pad	4	30t	CHINT
2	Control cabinet	1	DBX-250	CHINT
1	HV Bushing	3	BRDLW-252/630-4	NanJing Zhida
NO.	Items	Qty.	Type	Manufacturer

REV5	20140923	REV5	20140923	SF-42000/250(125)	1ZDB300000P-1203			
REV4	20140912	Designed	Zhenquan Yu	20140825	Outline Drawing	Mark	Weight	Scale
REV3	20140825	Checked	Wenbiao Liu	20140825				1:1
REV2	20140808	Reviewed	Yongjiang He	20140825	American EQ	Total: 2 Pages		Page 1
REV1	20140725	Approved	Hua Huang	20140825		 Chint Electric Co., Ltd		

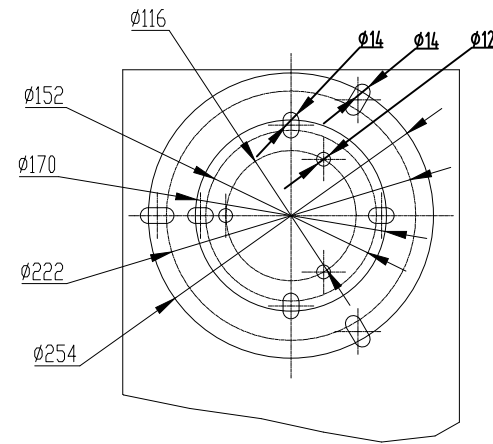
HV Bushing Terminal (Tinned Copper)
HV Neutral Bushing Terminal (Tinned Copper)



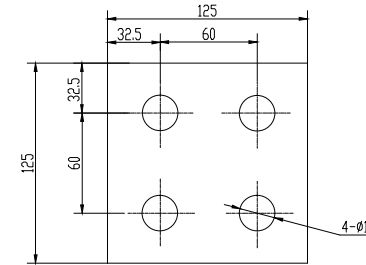
HV Neutral Bushing Terminal (Tinned Copper)



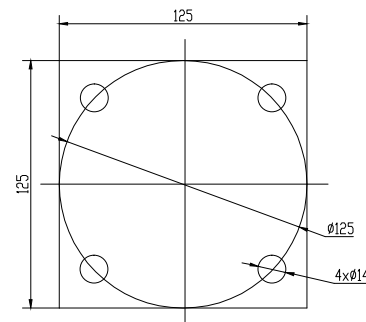
ARRESTER BRACKET DRILL PATTERN



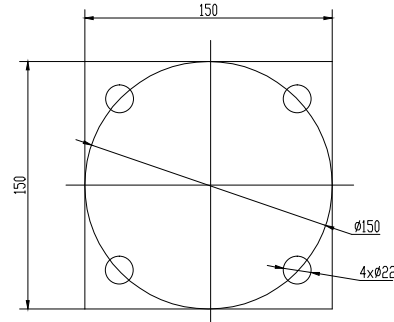
LV Bushing Terminal (Tinned Copper)



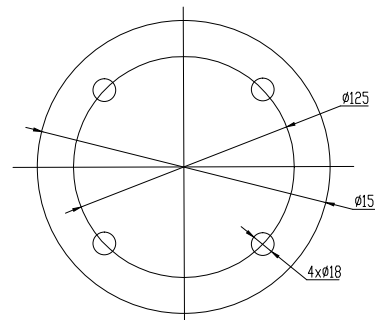
50 Butterfly Valve
Vacuum valve



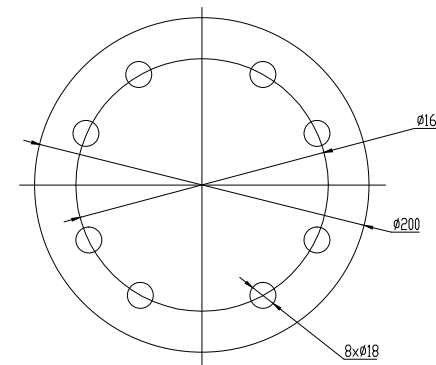
80 Butterfly Valve
Radiators valve



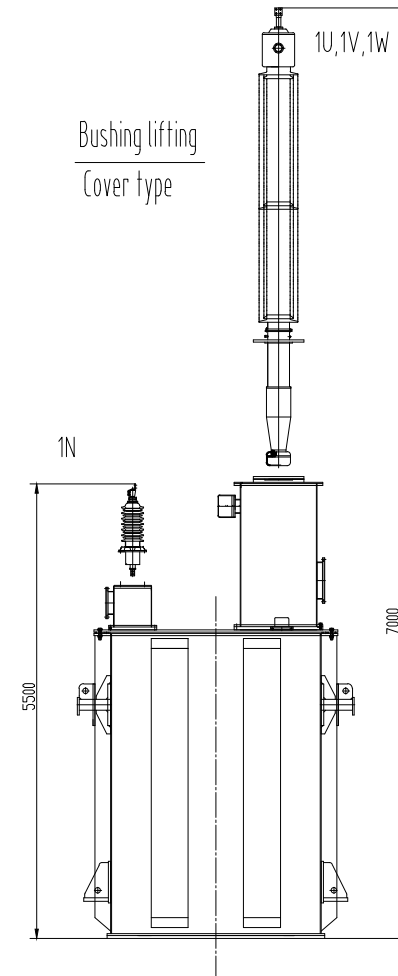
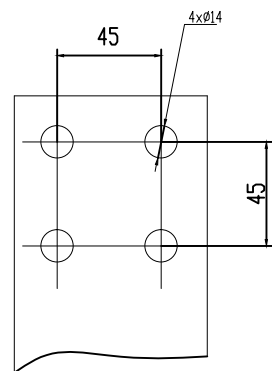
50 Ball Type Valve
Oil drain valve



80 Ball Type Valve
Oil filling valve



Item 30 Grounding Pad



REV5	20140923	REV5	20140923		SF-42000/250(125)	1ZDB300000P-1203		
REV4	20140912	Designed	Zhenquan Yu	20140825	Outline Drawing	Mark	Weight	Scale
REV3	20140825	Checked	Wenbiao Liu	20140825				1:1
REV2	20140808	Reviewed	Yongjiang He	20140825	American EQ	Total: 2 Pages		Page 2
REV1	20140725	Approved	Hua Huang	20140825				