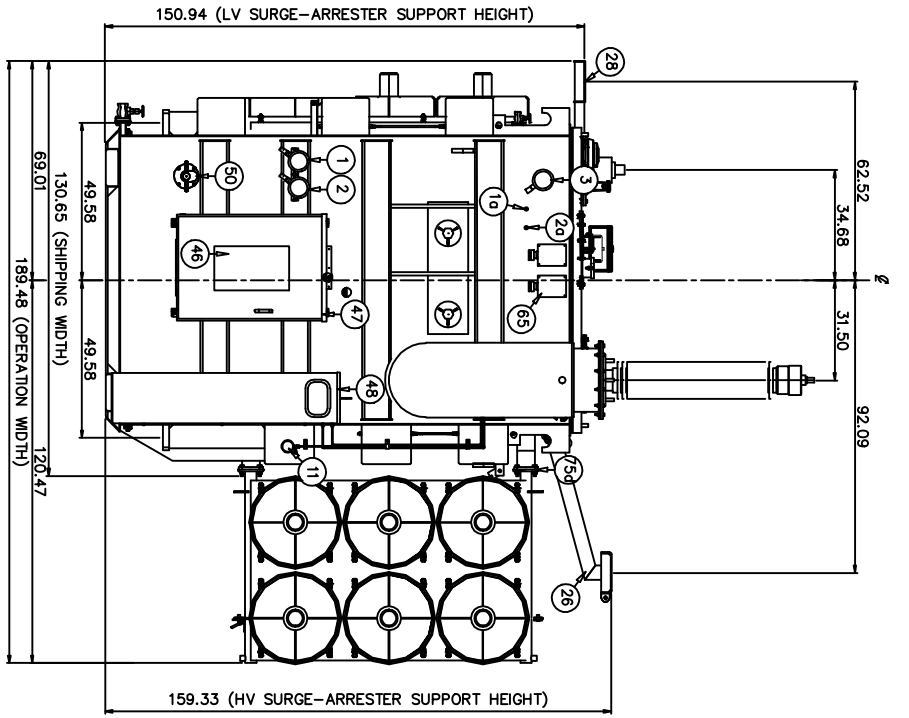
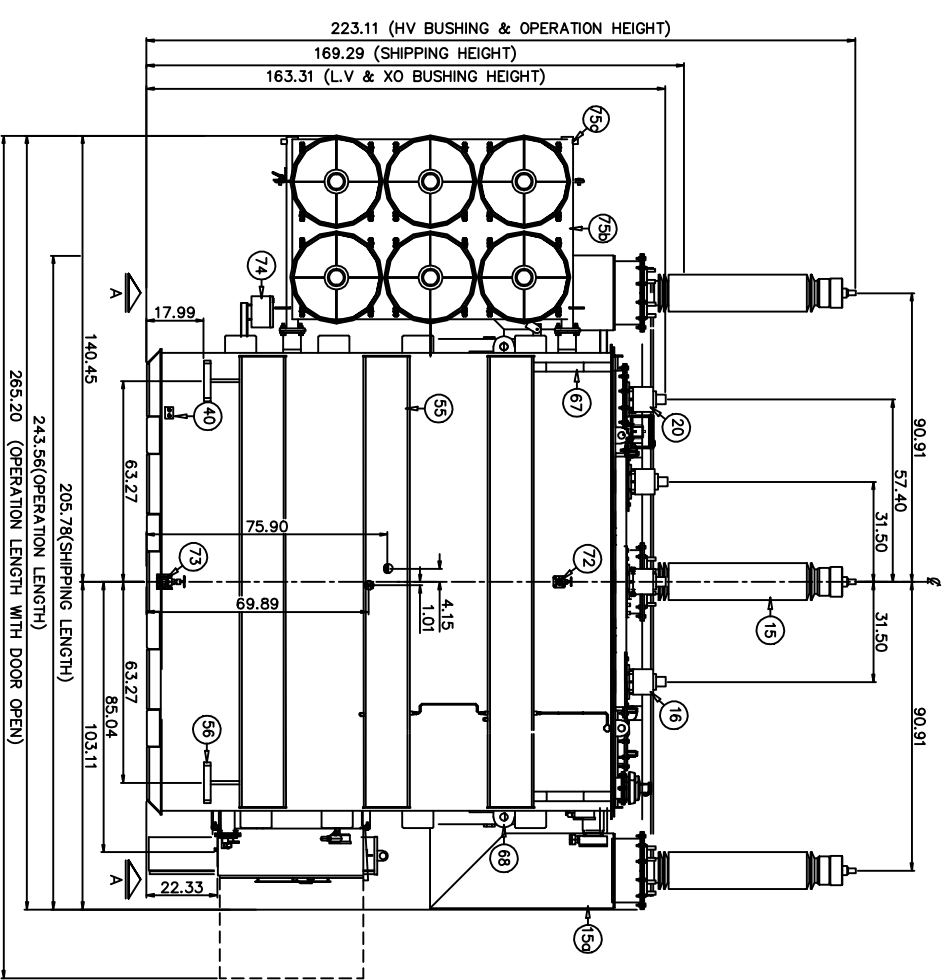
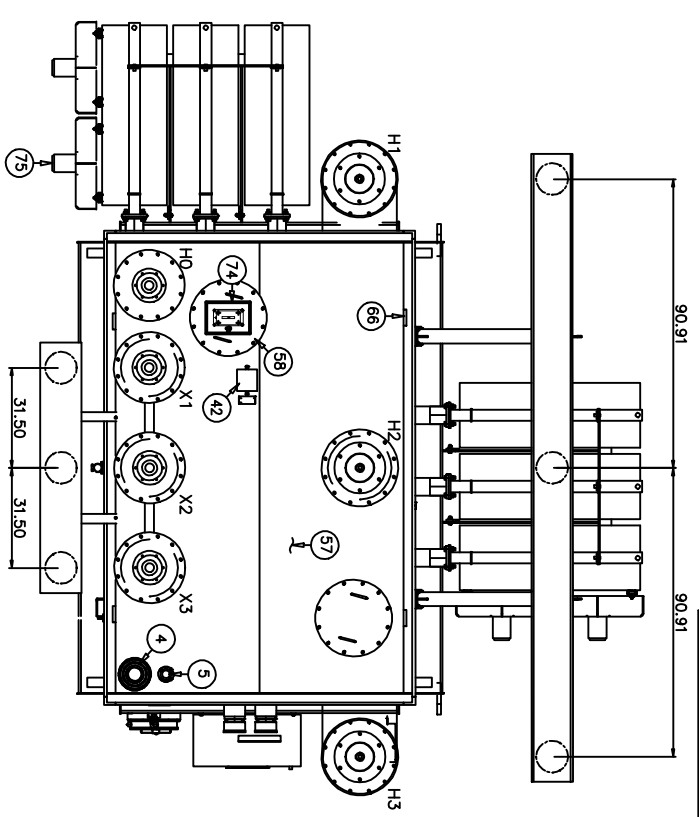
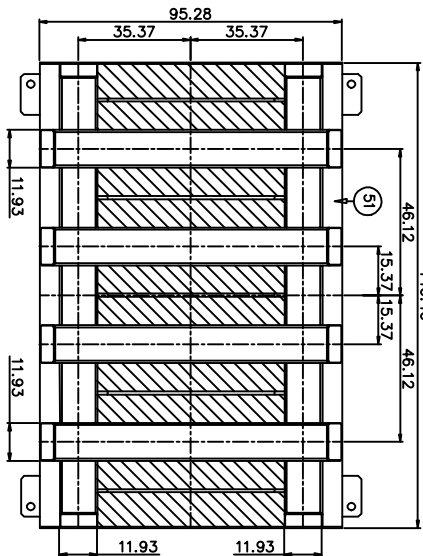


DESCRIPTION

QTY.	ITEM	DESCRIPTION
1	1a	WINDING TEMPERATURE INDICATOR, MESSKO, MT-ST160WRM/4C/4 (49T-1)
1	1b	THERMO-WELL FOR WINDING TEMPERATURE INDICATOR
1	1c	LIQUID TEMPERATURE INDICATOR, MESSKO, MT-ST160RM/2C/4M (26C-1)
1	2a	THERMO-WELL FOR LIQUID TEMPERATURE INDICATOR
1	3	MAGNETIC LIQUID LEVEL MESSKO, MT-ST160RM/0U/4F (710-1)
1	4	MAGNETIC LIQUID LEVEL MESSKO, MT-ST160RM/0U/4F (710-1)
1	5	RADIAL RISE PRESSURE RELIEF VALVE, QUANTROL, 910-014-05 (SRP-1)
1	11	PRESSURE-VACUUM GAUGE FOR SHIPPING
3	15	H.V. BUSHING, PCORE, P066500608005
2	16	H.V. BUSHING, ABB, 015,0300A0
1	20	NEUTRAL BUSHING H0, ABB, 015,0300A0
1	26	H.V. SURGE-ARRESTER SUPPORT
1	28	L.V. SURGE-ARRESTER SUPPORT
2	40	GROUND PAD
1	42	CORE GROUND BUSHING TERMINAL BOX (MAIN UNIT)
1	44	NAMEPLATE
1	46	CONTROL CABINET
1	47	AUTOMATIC NITROGEN EQUIPMENT FOR OPERATION
1	48	DE-ENERGIZED TAP-CHANGER, ABB, DTUC
1	50	BASE SKIDS (4 DIRECTION)
1	51	JACKING PADS AND PULLING EYES
1	56	INSPECTION MANHOLE (COVER)
2	58	CT TERMINAL BOX ONLY
4	62	LIFTING EYE COVER ONLY
4	64	LIFTING EYE COMPLETELY ASSEMBLED TRANSFORMER SHIPPING LUGS
4	65	TOP FILTER PRESS VALVE (1" ø) GLOBE-TYPE WITH SAMPLING DEVICE (3/8" ø) AND PLUG
1	72	IMPACT RECORDER FOR SHIPPING
1	74	COOLING FAN, KRENZ, F28D-A9712 (88F)
2	75a	RADIATOR SUPPORTS AND BRACES
6	75b	RADIATOR VENT AND DRAIN PLUG (1" ø)
12	75d	RADIATOR VALVE BUTTERFLY-TYPE (4" ø)

"VIEW A-A BASE DETAIL"
THE HATCHED AREA REPRESENT THE BOTTOM OF THE TRANSFORMER THIS AREA DOESN'T SIT ON THE FLOOR.



NOTES:

- a) ITEMS REMOVE FOR SHIPMENT ARE MARKED WITH (*).
- b) NUMBERING IS ACCORDING WITH G.E. PROLEC STD. LIST.

- OPERATION CENTER OF GRAVITY
- ⊙ SHIPPING CENTER OF GRAVITY

Equi Sales Associates Inc
P.O. # P2008C-139
GE Req # 420-87040
Prolec-GE Serial N° : G2344-01

STEP DOWN TRANSFORMER
ONAN / ONAF / ONALF / ONALF HZ
THIRD PHASE, 3920 KV,
138 X 99 KV Δ, 13.8 KV Y

PROLEC
APPROVAL DRAWING
24 / OCT / 08
DEAR CUSTOMER :
WE WANT TO SERVE YOU BETTER.
PLEASE REVIEW THIS DRAWING
COMMENTS TO GE-PROJECT IN THE
TIMEFRAME OF 10 DAYS AFTER
THE DATE MARKED IN THIS STAMP.

APPROXIMATE WEIGHTS (POUNDS)

CORE AND COILS	58370
TANK AND FITTINGS	37635
MAIN TANK LIQUID (6610 GALS)	49643
COOLING EQUIPMENT LIQUID (359 GALS)	2894
TOTAL WEIGHT	148342
UNLANKING WEIGHT (HEAVIEST PIECE)	58370
SHIPPING WEIGHT (WITHOUT OIL)	82554

TOLERANCES

Centerline distance of not inclined bushings	±.25
Centerline distance of inclined bushings	±.52
Bushings height (distance to floor)	±.50
Outlet of control cabinet distance	±.25
HV & LV bushings center line	±.50
Bushings & surge arrester center line	±.50
Surge arrester height (distance to floor)	±.50
Center tank distance to short side	±.50
Center tank distance to large side	±.50
Center out height	±.12
Anchoring center line	±.12
Bracing base center line	±.18
Outline	0-118.00
Dimensions	118.00-197.00
	197.00 & Above

PROLEC
PROJECT GE ENGINEERING POWER DIVISION
TITLE: TRANSFORMERS OUTLINE
DATE: 05/28/08
DRAWING NO.: G2344401D801
SCALE: 1:1
PROJECTION: 1:1
SHEET NO.: 10