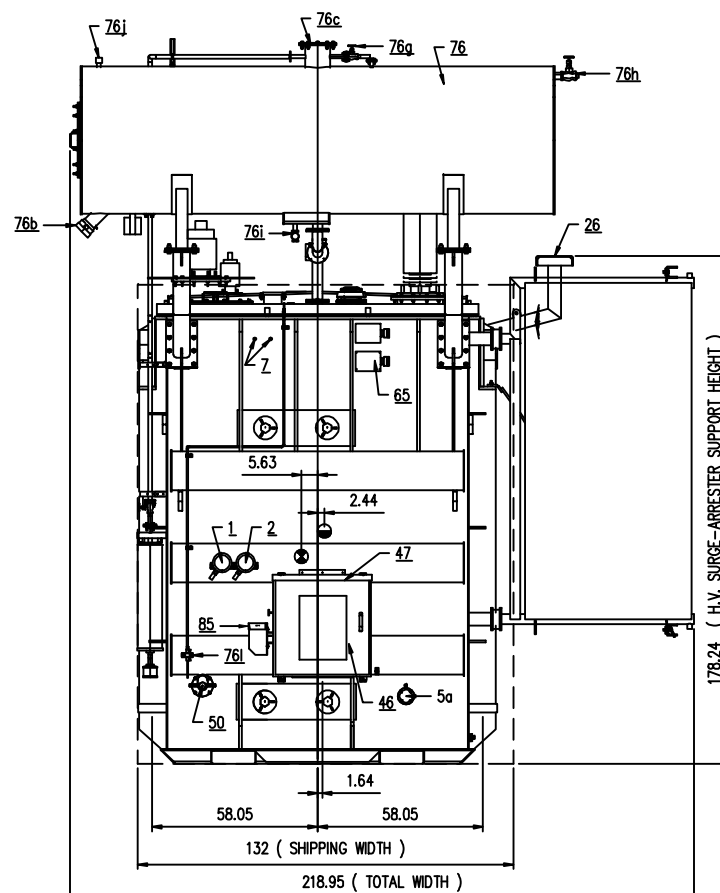
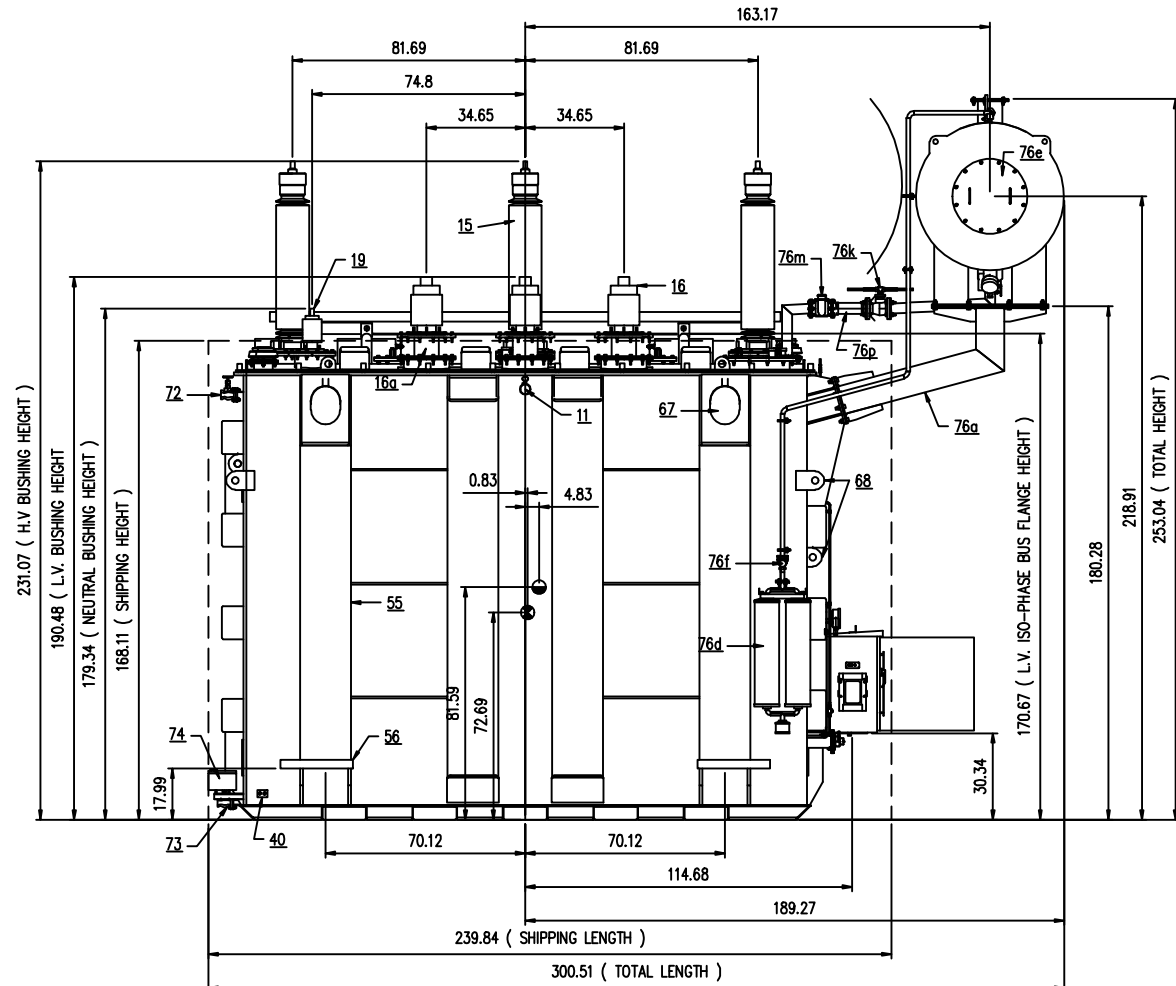


THE HATCHED AREA REPRESENT THE BOTTOM OF THE TRANSFORMER, THIS AREA DOESN'T SIT ON THE FLOOR.



GUIDE	QTY.	ITEM	DESCRIPTION
1	1	1	WINDING TEMPERATURE INDICATOR MESSKO MT-ST160HWR/4C/4 (49T-1)
1	2	2	LIQUID TEMPERATURE INDICATOR MESSKO MT-ST160RM/2C/4M (26G-1)
2	4	4	PRESSURE RELIEF DEVICE QUALITROL LPRD00-00008306 (63PR-1/2)
1	50	50	RAPID PRESSURE RELAY VALVE (2.00 Ø) BALL-TYPE (PROVISION)
2	7	7	THERMO-WELL
1	11	11	PRESSURE-VACUUM GAUGE FOR SHIPPING
3.2	3	15	H.V. BUSHING LAPP 138 KV POC650G1216CMS
3.2	3	16	L.V. BUSHING LAPP 25 KV BB8753-70
3.2	3	160	L.V. BUSHING REMOVABLE TURRET
3.2	1	19	NEUTRAL BUSHING HO NMC 23 KV 636277 1600 AMP
4.1	1	26	H.V. SURGE-ARRESTER SUPPORT
2	40	40	GROUND PAD
1	41	41	NEUTRAL GROUND PAD
1	42	42	CORE GROUND BUSHING TERMINAL BOX (MAIN UNIT)
1	43	43	FRAME GROUND BUSHING BOX
1	46	46	NAMEPLATE
1	47	47	CONTROL CABINET
1	50	50	DE-ENERGIZED TAP-CHANGER ABB DTUC
1	51	51	BASE SKIDS (4 DIRECTION)
15	55	55	TANK BRACES
4	55a	55a	COVER BRACES
4	56	56	JACKING PADS AND PULLING EYES
1	57	57	MAIN COVER
3	58	58	INSPECTION MANHOLE (COVER)
1	59	59	INSPECTION HANDHOLE (COVER)
2	65	65	CT TERMINAL BOX
4	66	66	LIFTING EYE COVER ONLY
4	67	67	LIFTING LUGS COMPLETELY ASSEMBLED TRANSFORMER
8	68	68	SHIPPING LUGS
1	72	72	TOP FILTER PRESS VALVE (2.00 Ø) GLOBE-TYPE
1	73	73	MAIN TANK DRAIN VALVE (2.00 Ø) GLOBE-TYPE WITH SAMPLING DEVICE (3/8" Ø) AND PLUG
1	74	74	IMPACT RECORDER FOR SHIPPING
14	75	75	COOLING FAN (8F)
1.2-1.4	4	75b	RADIATORS, SUPPORTS AND BRACES
8	75c	75c	RADIATOR VENT AND DRAIN PLUG (1.00 Ø)
8	75d	75d	RADIATOR VALVE BUTTERFLY-TYPE (4.00 Ø)
1.1	1	76	CONSERVATOR TANK WITH INTERNAL BLADDER
2.3	2	76a	CONSERVATOR TANK SUPPORT
2.2	1	76b	CONSERVATOR MAGNETIC LIQUID LEVEL GAUGE
5.8	1	76c	HANDHOLE TO INSTALL BLADDER
5.8	1	76d	SILICA-GEL BREATHING RM66 PROLEC
5.8	1	76e	CONSERVATOR MANHOLE
1	76f	76f	SILICA-GEL SHUT OFF VALVE (1.00 Ø) GLOBE-TYPE
1	76g	76g	CONSERVATOR PRESSURE EQUALIZATION VALVE (1.00 Ø) GLOBE-TYPE
1	76h	76h	CONSERVATOR FILL VALVE (2.00 Ø) GLOBE-TYPE
1	76i	76i	CONSERVATOR DRAIN VALVE (1.00 Ø) GLOBE-TYPE
1	76j	76j	CONSERVATOR TANK PIPE COUPLING W/CAP
2.2	1	76k	CONSERVATOR TANK TO MAIN TANK VALVE (3.00 Ø) BALL-TYPE
2.4	1	76l	GAS SAMPLING DEVICE
2.4	1	76m	PROTECTIVE RELAY BUCHHOLZ EMB 53-28-29-311 (63BH-1)
2.4	1	76p	EXPANSION JOINT FOR BUCHHOLZ PIPING
3.1	1	82a	L.V. ISO-PHASE BUS FLANGE
1	85	85	CONTROL TRANSFORMER

NOTES:
a) ITEMS REMOVED FOR SHIPMENT ARE MARKED WITH (*). SEE NUMBER IN COLUMN "GUIDE" FOR EACH ITEM TO USE THE IN FIELD ASSEMBLY GUIDE
b) NUMBERING IS ACCORDING WITH G.E. PROLEC STD. LIST.

● OPERATION CENTER OF GRAVITY
⊗ SHIPPING CENTER OF GRAVITY

APPROXIMATE WEIGHTS (POUNDS)	
CORE AND COILS	114020
TANK AND FITTINGS	53855
MAIN TANK LIQUID (11575 GALS)	86930
COOLING EQUIPMENT LIQUID (360 GALS)	2690
CONSERVATOR TANK LIQUID (510 GALS)	3835
TOTAL WEIGHT	261330
UNLOADING WEIGHT (HEAVIEST PIECE)	114020
SHIPPING WEIGHT	149770

TOLERANCES	
Centerline distance of not inclined bushings	±.25
Centerline distance of inclined bushings	+1.00
Bushings height (distance to floor)	-0.50
Outlet of control cabinet distance	±.25
Hv & Lv bushings center line	±.25
Bushings & surge arrester center line	±.25
Surge arrester height (distance to floor)	±.50
Center tank distance to short side	±.50
Center tank distance to large side	±.50
Conservator height	±.50
Anchoring center line	±.12
Bracing base center line	+0.06
Pattern distance	-0.18
Outline	0-118.00 ±1.00
Dimensions	118.00-197.00 ±1.50
	197.00 & Above ±2.00

EQUI SALES ASSOCIATES INC.
13811 Cullen Blvd
HOUSTON, TX
P.O. : P20091-052
GE Req: 420-JB001
PROLEC GE Serial N° : G2167-06

STEP UP TRANSFORMER
60/80/100 MVA, 65% ALTITUDE, 3300 FASL.
ONAN/ONAF/ONAF, 3ø, 60 Hz
138/79.674 KV x 69/39.837 KV Δ, 13.8 KV ◊

REV. 1	REV. 3			
REV. 2	REV. 4			
Dwn : 03/23/90	E.J.S.	Title : TRANSFORMER'S OUTLINE	Third Angle Projection	Sec : 80
Chgd : 03/23/90	A.A.T.		Scale : 3/8" = 1"	
Appd : 03/23/90	J.G.M.S.		Dimensions in : IN	
Sheet : 1 of 1			Drawing No. G216706D801	
Rev : 0				